

## Technical specifications

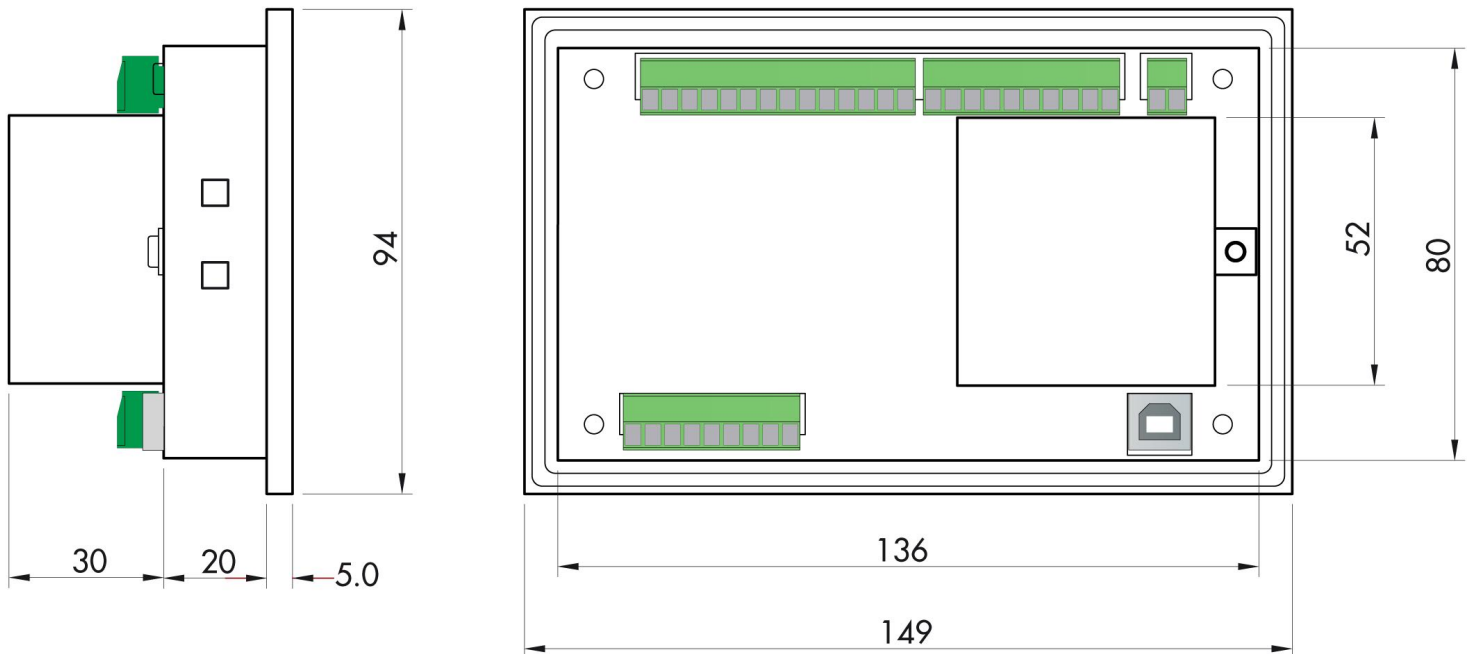
PWS32520250222

MCT 1302 Analog + Ethernet is a touch screen weight indicator ideal for every type of weighing, in particular for static weighing and loading / unloading and multicomponent dosing. It is easy to install and use and can be customized as needed. MCT 1302 Analog + Ethernet has multilingual menu, internal data memory of 64 Kbytes expandable up to 1024 Kbytes and simultaneous availability of Fieldbus and analogue output. The Software Optimization is given for free. This Software allows you to run certain activities such as calibration or monitoring directly from your computer. The Optimization software is provided by Pavone Systems and guarantees a perfect instrument run.

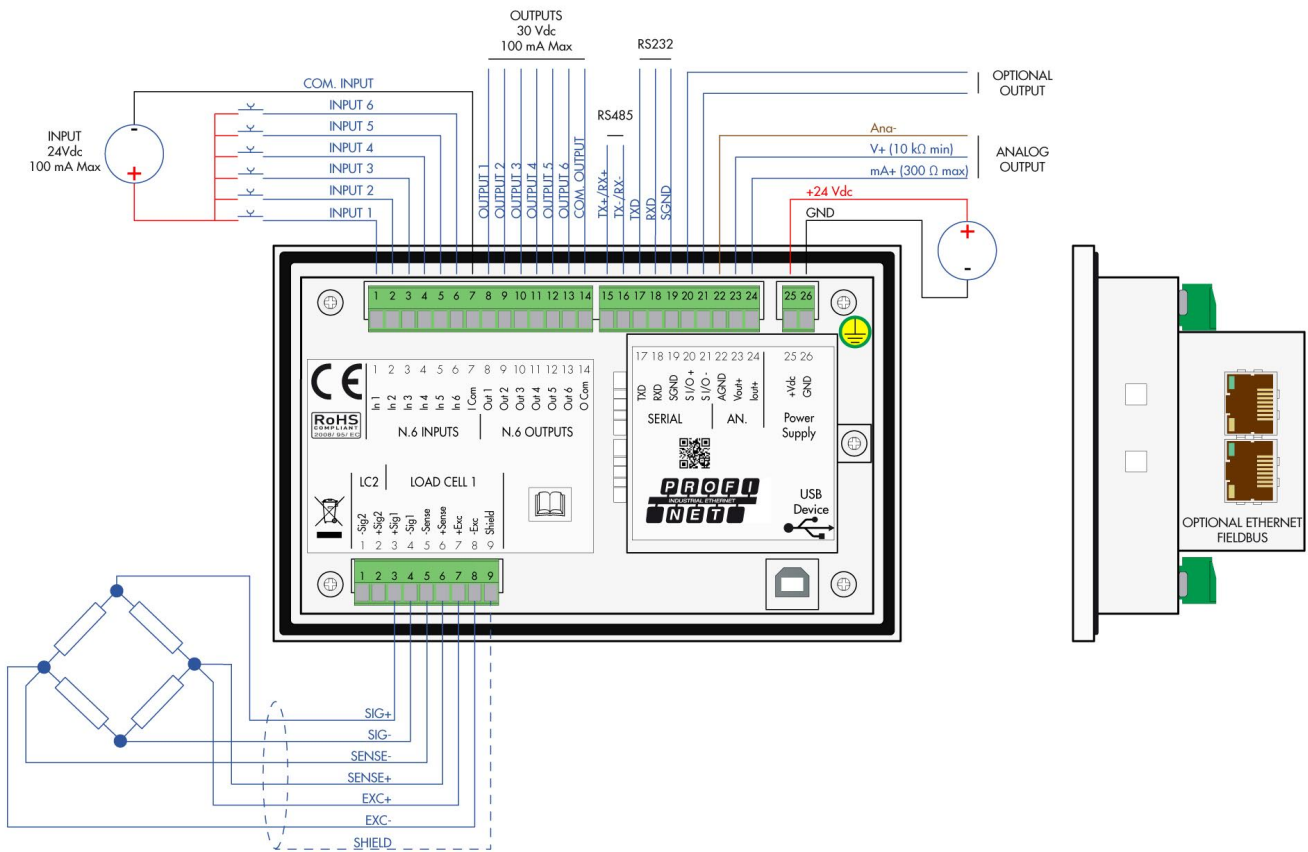
<b>Legal for Trade:</b>	certification available on request
<b>Measuring range:</b>	-3.9 ÷ +3.9 mV/V
<b>Input sensitivity:</b>	0.02 µV/count
<b>Full scale non-Linearity:</b>	< 0.01 % full scale
<b>Gain drift:</b>	< 0.001% FS/°C
<b>Display:</b>	graphic LCD (240x128 pixel)
<b>A/D Converter:</b>	24 bit; internal resolution up to 16.000.000
<b>Transducer input voltage:</b>	5 Vdc (max 8 load cells - 350 Ohm)
<b>Frequency signal acquisition:</b>	12 ÷ 1000 Hz
<b>Visible resolution (in divisions):</b>	999999
<b>Divisions value (adjustable):</b>	x1, x2, x5, x10, x20, x50; max 4 decimals
<b>Temperature range:</b>	-10 ÷ + 50°C (humidity max 85% no condensation)
<b>Storage temperature:</b>	-20 ÷ +70°C
<b>Filter:</b>	0.1 ÷ 250 Hz
<b>Logic output:</b>	6 opto-isolated; max 24 Vdc/100mA each
<b>Logic inputs:</b>	6 optically isolated 24 Vdc PNP (external power supply)
<b>Additional I/O:</b>	up to 4 external modules with 4 in/8-out each (16 in/32 out, total) by independent RS485
<b>Serial port:</b>	1 USB device + 1 RS232C + 1 RS485/Fieldbus
<b>Analog output Non-Linearity:</b>	< 0,02%
<b>Power supply:</b>	18÷30 Vdc - Power consumption 5 W
<b>Microcontroller:</b>	ARM Cortex M0 + 32 bit 256KB Flash reprogrammable onboard from USB
<b>Data storage:</b>	64 Kbytes expandable up to 1024 Kbytes
<b>Regulatory compliance:</b>	EN61000-6-2, EN61000-6-3 for EMC; EN61010-1 for Electrical Safety, EN45501 for metrology
<b>Drilling template:</b>	138 x 82 mm (L x H)
<b>Dimensions:</b>	150x95x26mm (LxWxH) including terminal blocks; 150x95x56mm (WxHxD) with fieldbus options



All indicated data may be changed without notice.  
All the measures indicated are expressed in millimeters (mm).



All indicated data may be changed without notice.  
 All the measures indicated are expressed in millimeters (mm).



All indicated data may be changed without notice.  
 All the measures indicated are expressed in millimeters (mm).