

Technical specifications

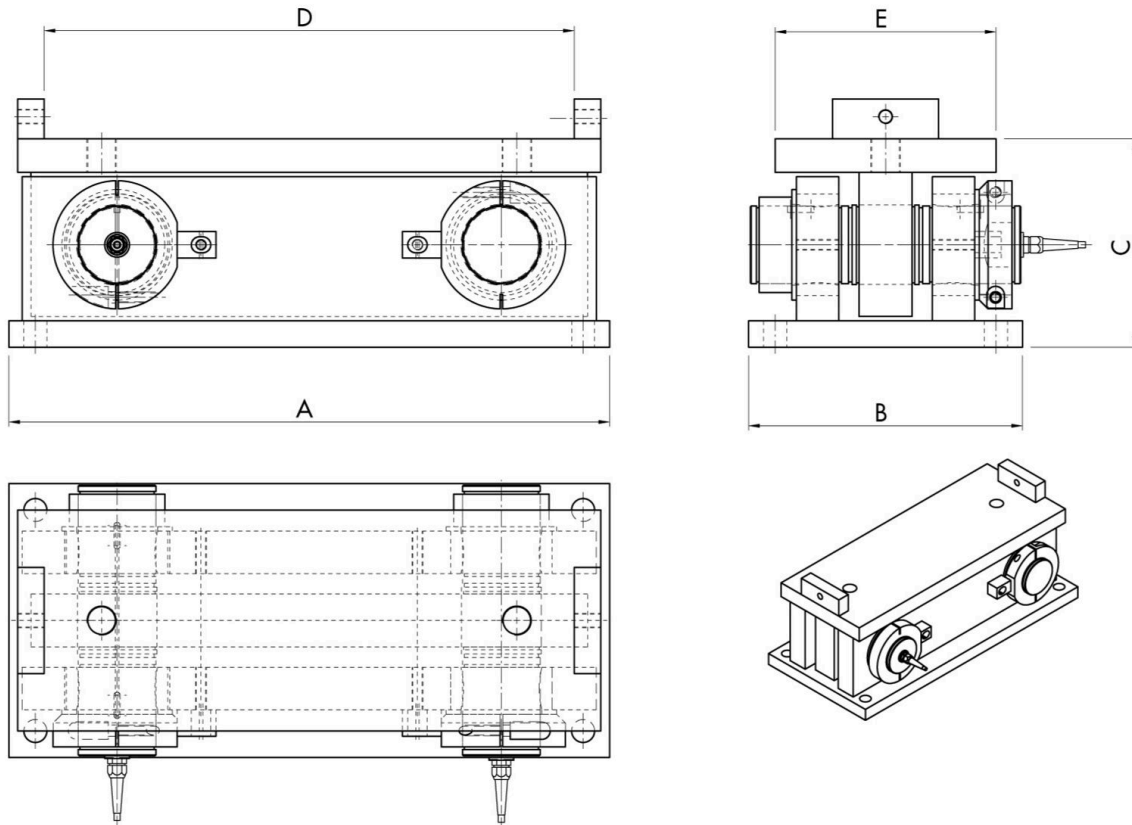
PWS11220241016

The FMU-5 product is a tensiometric system that is useful to keep the tension of the rolled or unrolled material constant and to measure in order to avoid product breakages and machine jams with consequent production stops. This tool is particularly useful during the production of paper but it has been designed to meet any other application requirement: steel tape equipment, conveyors for mines, felts, dryers, calenders, painters and laminators, winders and rewinders.

Rated load RL:	100, 200, 400, 800 kN
Repeatability:	<0.1 % RO
Material:	Yellow chromate or stainless steel
Temperature range:	-40 ÷ +80 (100 option) °C
Rated output RO:	2 mV/V
Recommended input:	10 Vdc/ca
Maximum supply voltage:	18 Vdc/ca

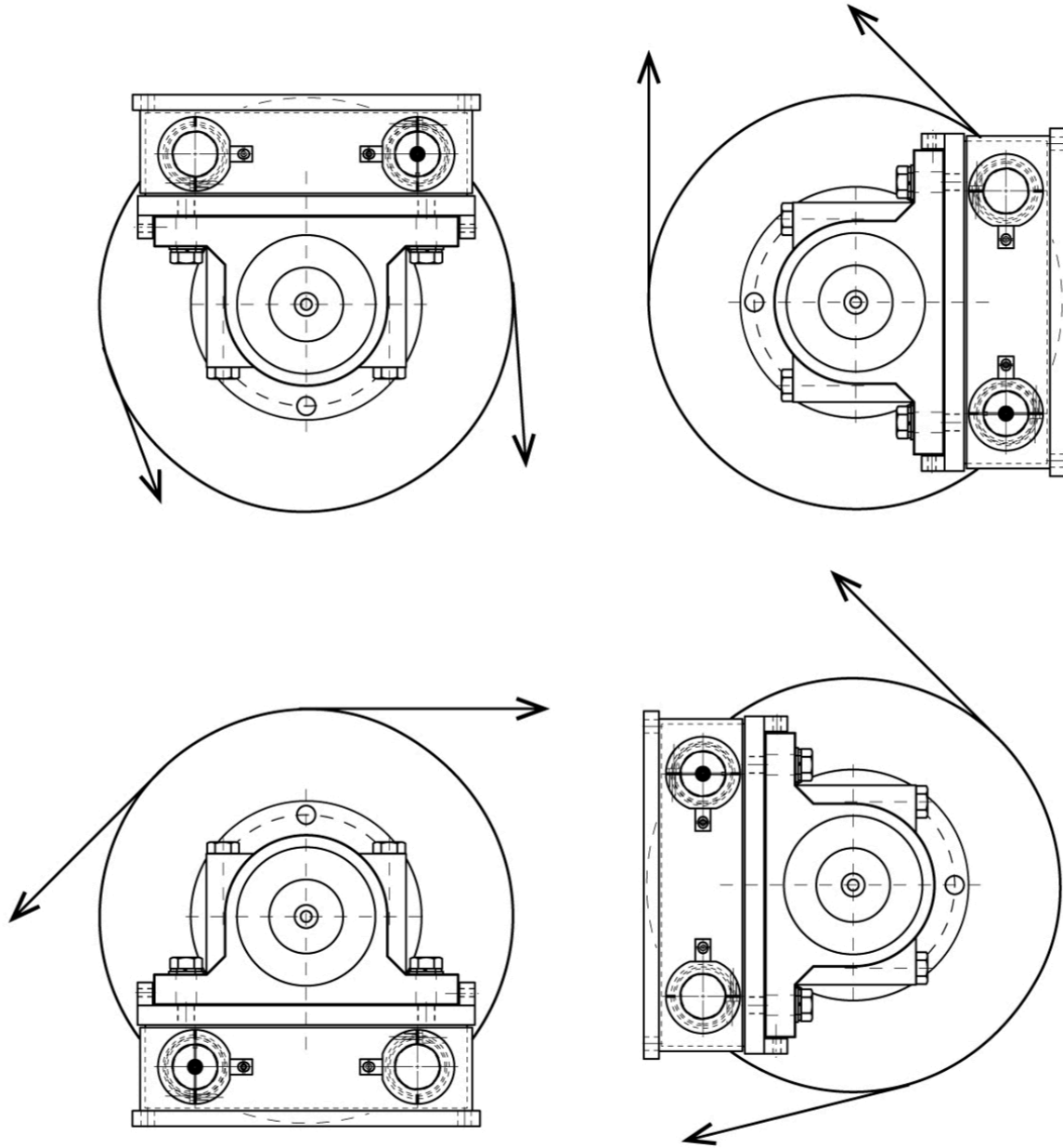


All indicated data may be changed without notice.
 All the measures indicated are expressed in millimeters (mm).

Web Tension Measurement Unit FMU-5


CAPACITY kN	A	B	C	D	E
100,200	480	260	205	405	150
400	680	310	236	600	250

All indicated data may be changed without notice.
 All the measures indicated are expressed in millimeters (mm).



All indicated data may be changed without notice.
 All the measures indicated are expressed in millimeters (mm).