

General information

PWS12520241015

The CS30 S-type load cell, made of stainless steel, has been designed for the industrial and fiscal weighing of small tanks and hoppers, it has excellent linearity and precision features and it has an overload resistance of over 300%. Furthermore, the tension and compression CS300 load cell owns a watertight protection for use in severe environmental conditions and it is also available in a special high temperature version.



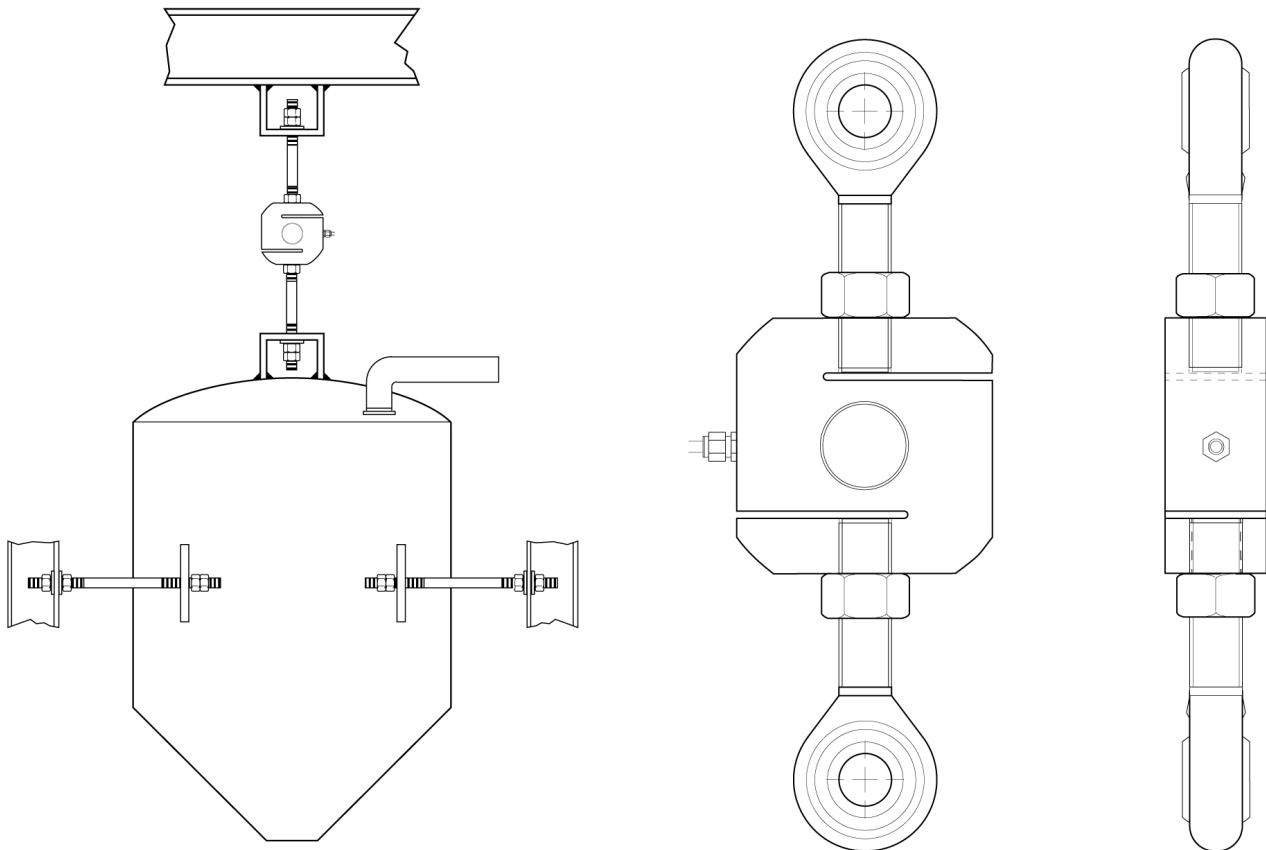
All indicated data may be changed without notice.
All the measures indicated are expressed in millimeters (mm).

Technical specifications

PWS12520241015

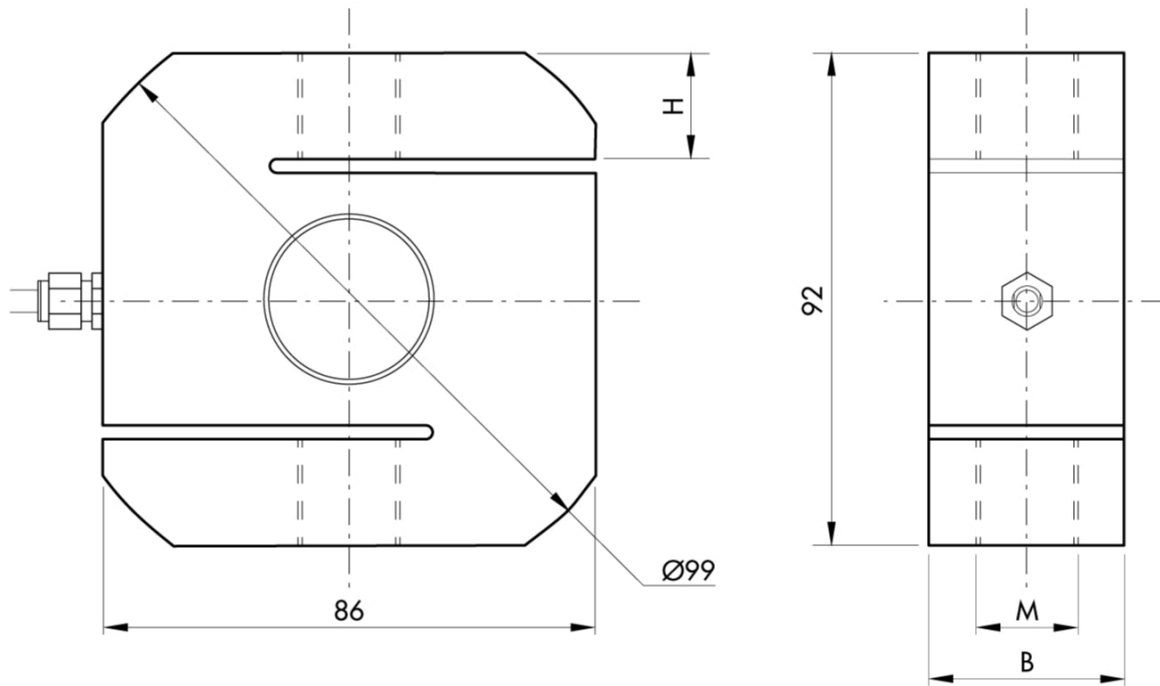
Rated Load (RL):	0.5, 2, 3, 4, 5, 6, 7.5 t
Combined error:	< ±0,02 % RL
Repeatability:	< ±0,01 % RL
Creep (30 minutes):	±0,02 % RL
Safe overload:	150 % RL
Ultimate overload:	300 % RL
Material:	Stainless steel
Degree of protection:	IP68
Accuracy class:	3000 OIML
Deflection:	0.2 ÷ 0.4 mm
Compensated Temperature:	-10 ÷ +40 °C
Temperature range:	-35 ÷ +65 °C
Temperature effect on zero balance:	< ±0.01 % RL/5°K
Temperature effect on output:	< ±0.006 % RL/5°K
Rated output RO:	2 mV/V ±0,004 %
Zero balance:	< ±1,5 % RO
Insulation resistance:	> 5000 MOhm
Input resistance:	350 ±3.5 Ohm
Output resistance:	351 ±2.0 Ohm
Recommended input:	5 ÷ 12 Vdc/ac
ATEX certified version:	II1G Ex ia II1C T4; II1D Ex iaD20T73°C; II3G nL ia II C T4

All indicated data may be changed without notice.
 All the measures indicated are expressed in millimeters (mm).


Electrical connections

+Excitation	Red
-Excitation	Black
+Sense	Blue
-Sense	Brown
+Signal	Green
-Signal	White
Shield	Cable shield

All indicated data may be changed without notice.
 All the measures indicated are expressed in millimeters (mm).



RANGE	0.5	1	2	3	4	5	6	7.5
B	32	32	32	32	36	50	50	50
M	M12x1.75	M12x1.75	M20x1.5	M20x1.5	M20x1.5	M24x2	M24x2	M24x2
H	25	25	25	25	25	24	24	24

All indicated data may be changed without notice.
 All the measures indicated are expressed in millimeters (mm).