

General information

PWS35020241015

The Model 355 is a welded bending load cell manufactured in stainless steel. Hermetically sealed against moisture, the Model 355's construction and polyurethane shielded cable enables the load cell to function in harsh environments while maintaining its operating specifications. The low profile, high accuracy and sealing makes this load cell highly suitable for applications such as low profile platforms, weighing and packing machines, conversion of mechanical and a variety of other applications where sealed cells are required. For hazardous environments this load cell is available with EEx ia IIC T6 level of approval as an option. The two additional sense wires feed back the voltage reaching the load cell. Complete compensation of change in the lead resistance, due to temperature change and/or cable extension, is achieved by feeding this voltage into the appropriate electronics.



Suggested related products

A highly performing weighing system must be accurate, perfectly calibrated and well maintained. In order to improve the load cell performance and to optimize its functioning, you may need the following products:

Weight Transmitter [DAT 1400](#)

Weight Indicator [MCT 1302](#)

Tester 1008 [TESTER 1008](#)

Junction Box [CGS4-C](#)

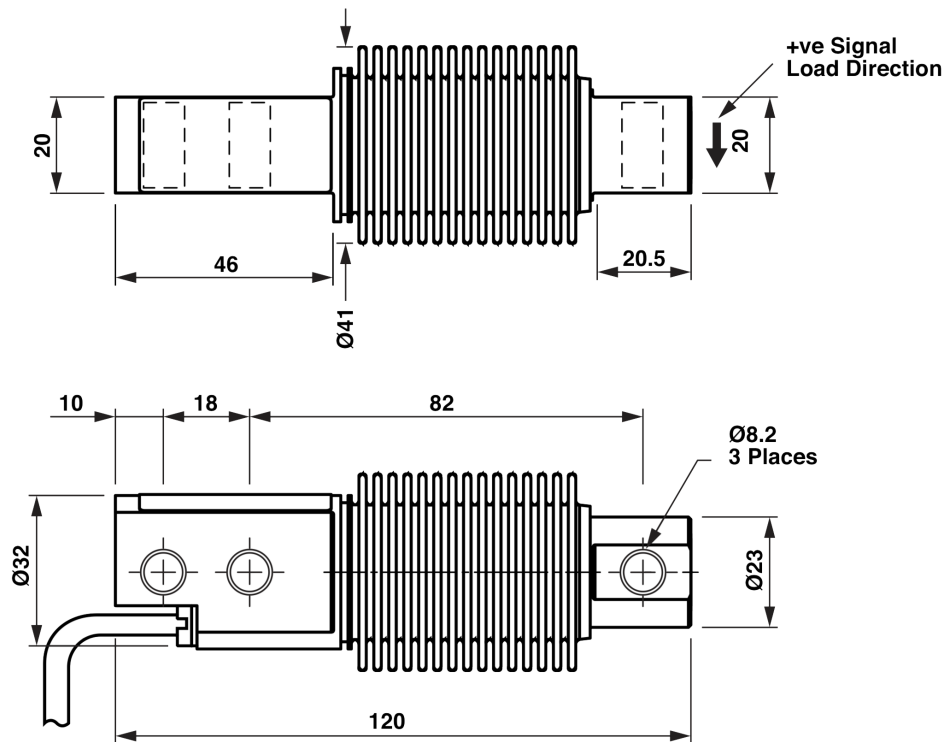
All indicated data may be changed without notice.
All the measures indicated are expressed in millimeters (mm).

Technical specifications

PWS35020241015

Rated Load (RL):	5, 10, 20, 30, 50, 100, 200, 250, 500 kg
Ultimate overload:	300 % RL
Material:	Stainless steel
Degree of protection:	IP68
Compensated Temperature:	-10 ÷ +40°C
Temperature range:	-20 ÷ +70°C
Temperature effect on zero balance:	±0.0023 % (NTEP); ±0.007 % (Non Approved); ±0.0009 % (C3); ±0.0011 % (C4); RO/°C
Temperature effect on output:	±0.001 % (NTEP); ±0.0040 % (Non Approved); ±0.0010 % (C3); ±0.0008 % (C4); RO/°C
Rated output RO:	2 mV/V
Zero balance:	±0.04 mV/V
Insulation resistance:	> 2000 MOhm
Input impedance:	380±10 Ohm
Maximum input voltage:	15 Vdc or Vac rms
Nominal input voltage:	10 Vdc or Vac rms
Cable Length:	3 m
Output impedance:	355±5 Ohm

All indicated data may be changed without notice.
All the measures indicated are expressed in millimeters (mm).


Wiring Schematic Diagram

+VE INPUT	Blue
+VE SENSE	Green
+VE OUTPUT	White
-VE INPUT	Black
-VE SENSE	Grey
-VE OUTPUT	Red

All indicated data may be changed without notice.
 All the measures indicated are expressed in millimeters (mm).