

General information

PWS1020241015

The TRP traction load cell (also known as tension or S-beam type), made of stainless steel, is ideal for tensile and compressive force measurements. The TRP tension cell has an overload resistance higher than 300% and disposes of a 5-meter shielded 4-conductor cable.



Suggested related products

A highly performing weighing system must be accurate, perfectly calibrated and well maintained. In order to improve the load cell performance and to optimize its functioning, you may need the following products:

Weight Transmitter [DAT 1400](#)

Weight Indicator [MCT 1302](#)

Tester 1008 [TESTER 1008](#)

Junction Box [CGS4-C](#)

Universal load cell [CS20](#)

S-Type load cell [TRZ](#)

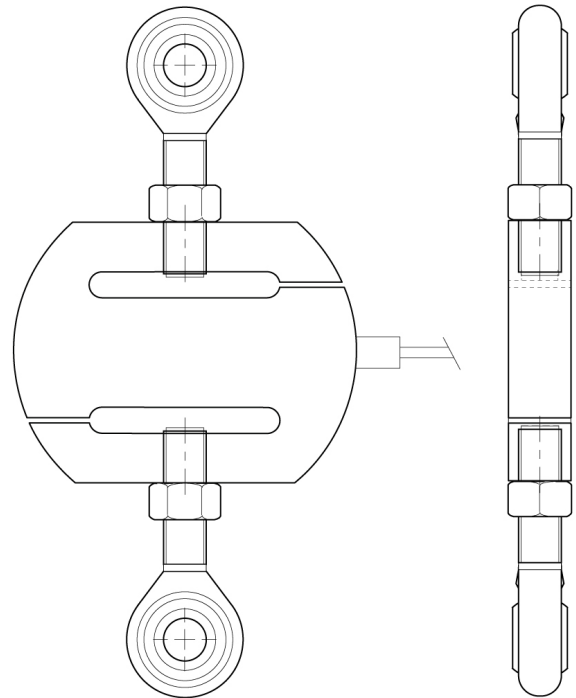
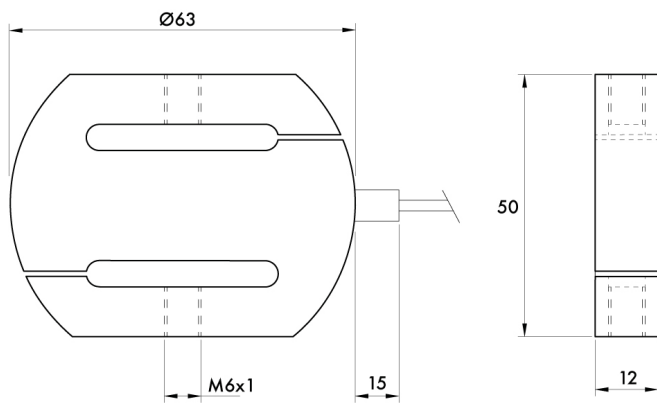
All indicated data may be changed without notice.
All the measures indicated are expressed in millimeters (mm).

Technical specifications

PWS1020241015

Rated load (RL):	2, 5, 10, 15, 25, 50 Kg
Combined error:	±0.05 % RL
Repeatability:	±0.02 % RL
Creep (20 minutes):	±0.03 % RL
Safe overload:	150 % RL
Ultimate overload:	> 300 % RL
Ultimate sideload:	300 % RL
Material:	Stainless steel
Degree of protection:	IP65
Deflection:	0.4 mm
Compensated Temperature:	-10 ÷ +50°C
Temperature range:	-20 ÷ +70°C
Temperature effect on zero balance:	±0.005 % RO/°C
Temperature effect on output:	±0.005 % output/°C
Rated output RO:	2.0 mV/V ±0.1 %
Zero balance:	±1 % RO
Insulation resistance:	> 5000 MOhm
Input resistance:	350 ±10 Ohm
Output resistance:	350 ±10 Ohm
Recommended input:	5 ÷ 15 Vdc/ac
Power supply:	2 ÷ 15 Vdc/ac

All indicated data may be changed without notice.
 All the measures indicated are expressed in millimeters (mm).



All indicated data may be changed without notice.
All the measures indicated are expressed in millimeters (mm).