

General information

PWS15620241015

The off center load cell PSBM6A is made of stainless steel, is hermetically sealed and has 6 meter long shielded cable supplied with 6 wires. It is suitable for platforms, belt scales, packaging machines, etc. The maximum dimensions of the PSBM6A single point load cell can reach 350 x 350 mm.



Suggested related products

A highly performing weighing system must be accurate, perfectly calibrated and well maintained. In order to improve the load cell performance and to optimize its functioning, you may need the following products:

Off Center load cell [C2G1](#)

Off Center load cell [CB004](#)

Off Center load cell [CB14](#)

Off Center load cell [U2D1](#)

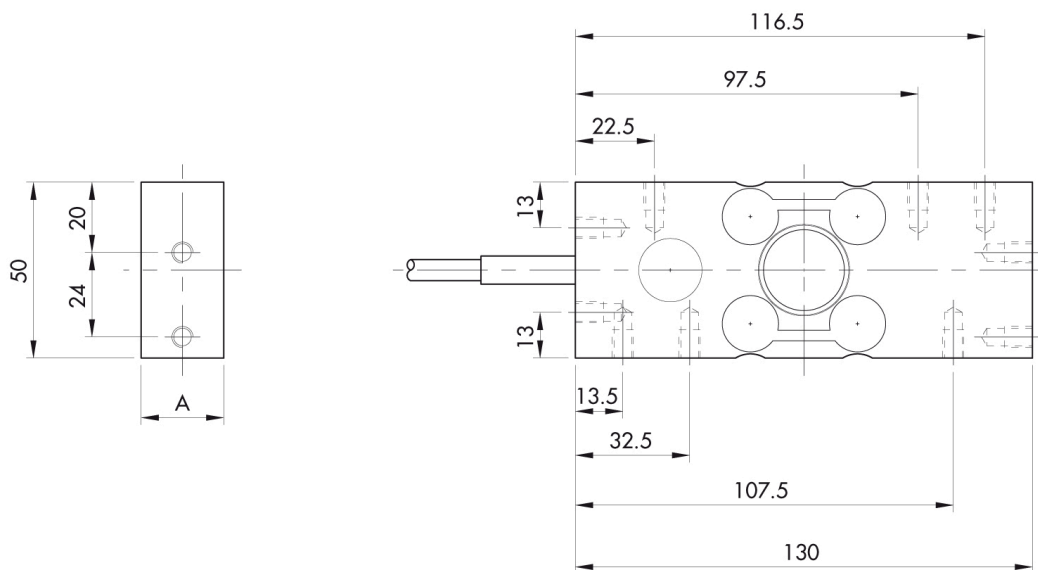
All indicated data may be changed without notice.
All the measures indicated are expressed in millimeters (mm).

Technical specifications

PWS15620241015

Rated load (RL):	6, 12, 30, 60 Kg
Combined error:	±0.023 % RO
Repeatability:	±0.01 % RO
Creep (30 minutes):	±0.02 % RO
Safe overload:	150 % RL
Ultimate overload:	300 % RL
Material:	Stainless steel
Degree of protection:	IP68
Deflection:	0.2 ÷ 1.4 mm
Compensated Temperature:	-10 ÷ +40 °C
Temperature range:	-35 ÷ + 65 °C
Temperature effect on zero balance:	±0.018 % RO/10°C
Temperature effect on output:	±0.014 % output/10°C
Rated output RO:	2.0 mV/V ±0.2
Zero balance:	< ±1.5 % Full scale
Insulation resistance:	> 5000 Ohm
Input resistance:	400 ±20 Ohm
Output resistance:	350 ±3.5 Ohm
Recommended input:	5 ÷ 12 Vdc/ac

All indicated data may be changed without notice.
 All the measures indicated are expressed in millimeters (mm).



CAPACITY	6Kg	12Kg	30Kg	60Kg
----------	-----	------	------	------

A in mm	18.5	18.5	18.5	23.5
---------	------	------	------	------

All threads are M6x1 8mm deep

Standard with 6 conductor shielded cable

Standard cable length is 6 m

Shield is not connected to load cell element

Different cable type or length are available on customers request

All indicated data may be changed without notice.
All the measures indicated are expressed in millimeters (mm).