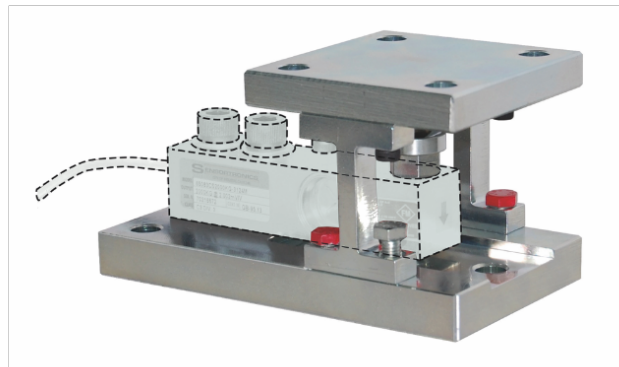


## General information

PWS26620250222

MKX is a mounting accessory invented by Pavone Systems, who developed this product thanks to his previous experience and know-how. This is an innovative mechanical system for mounting load cells for industrial weighing systems. The kit can be easily adjusted for both radial and tangential assembly. MKX does not hinder the normal expansion and contraction movements of the weighing structure and it allows the weighing structure to be lifted by itself without the aid of a jack. Furthermore, it is excellent as a template for the assembly mechanics of a weighing system. The MKX accessory stands out from the others because: it is possible to adjust it in height and this allows to reach the perfect flatness, the lower base and the upper base are connected and fixed and this ensures correct installation and perfect perpendicularity, it also works as anti-tilting and finally, it is able to absorb the lateral forces thanks to the ball cup attached to the base of the cell on which the load is unloaded. The mounting kit MKX is available in alloy steel or in stainless steel AISI 304 and can be used with our load cells: 65023 (with capacity 125÷250 kg, 300÷2000 kg, 3000÷5000 kg), 65083 (with capacity 300÷2000 kg and 3000÷5000 kg), SB (with capacity 75÷250 kg), SBR (with capacity 300÷2000 kg, 3000÷5000 kg and 7500÷10000), BBR (with capacity 5÷500 kg) and BBF (with capacity 15÷1500 kg).



## Suggested related products

A highly performing weighing system must be accurate, perfectly calibrated and well maintained. In order to improve the load cell performance and to optimize its functioning, you may need the following products:

**Weight Transmitter** [DAT 1400](#)

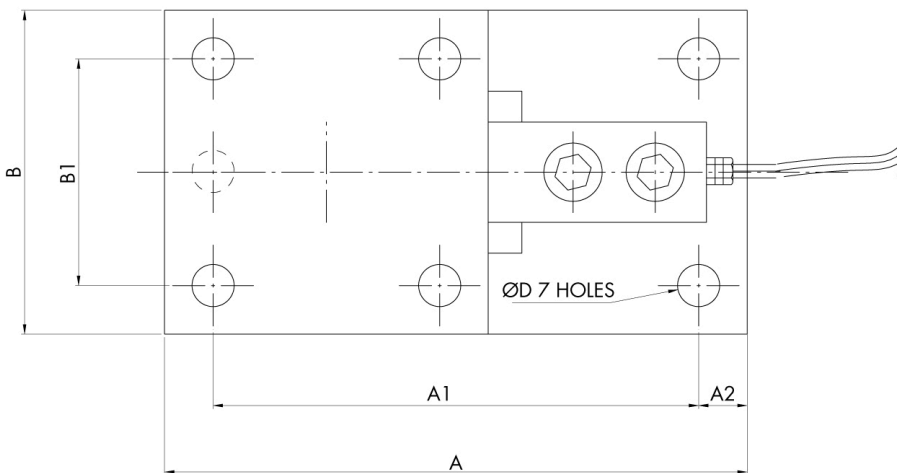
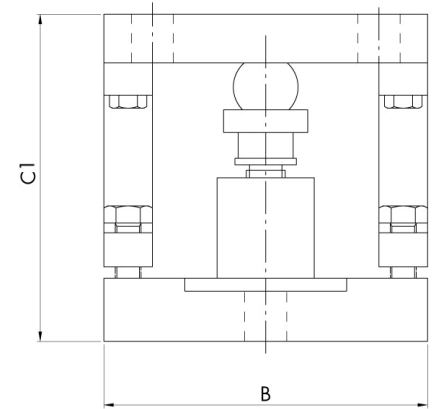
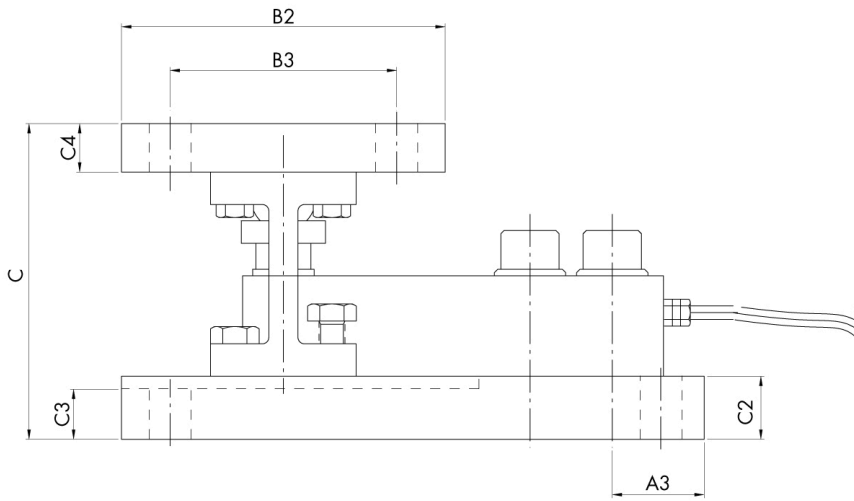
**Weight Indicator** [MCT 1302](#)

**Mounting kits** [MH MOUNTING KIT](#)

**Shear beam load cells** [65023](#)

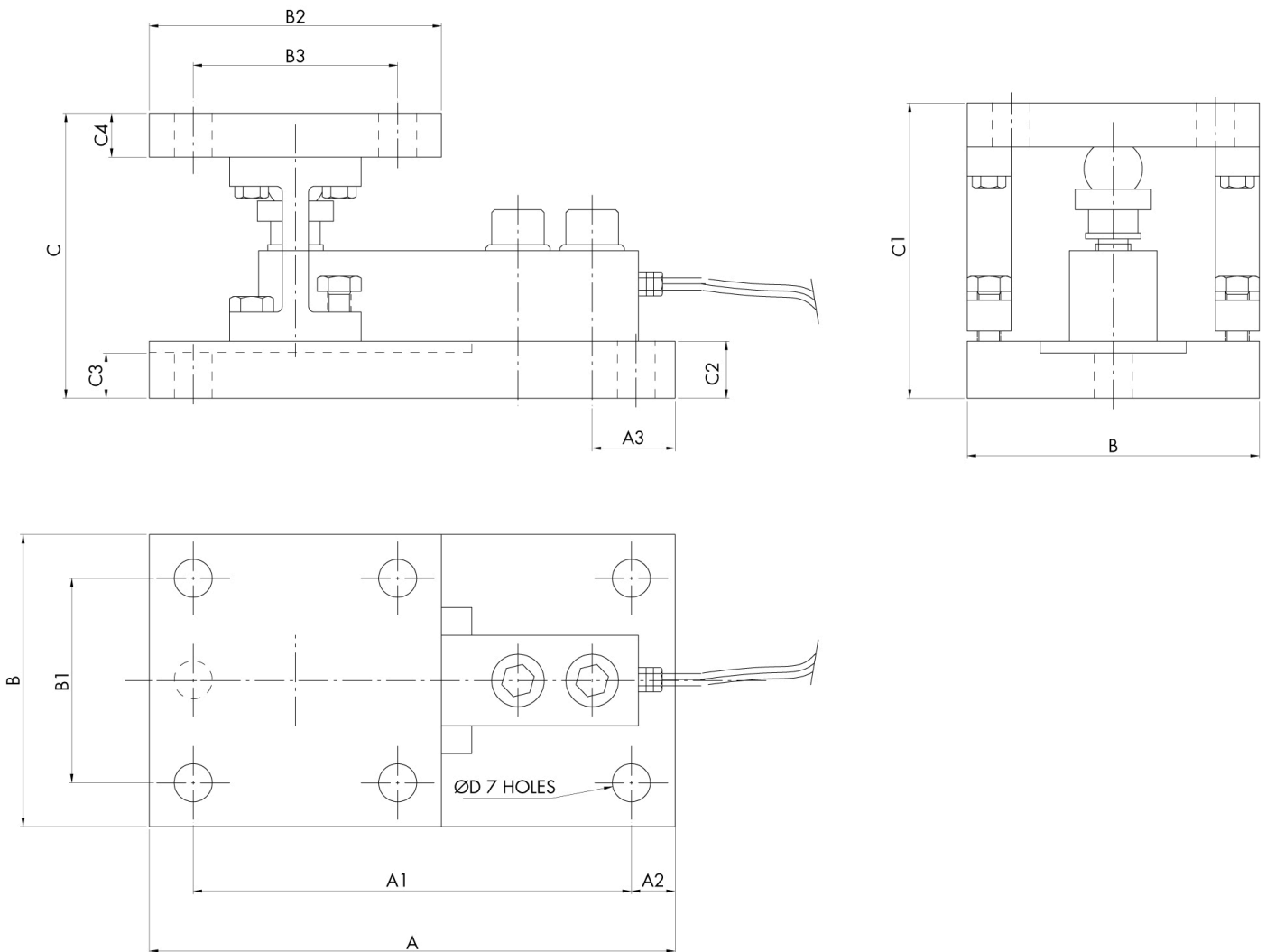
**Shear beam load cells** [SBR](#)

All indicated data may be changed without notice.  
All the measures indicated are expressed in millimeters (mm).


**ALLOY STEEL (capacity, dimensions and maximum load values by model)**

KIT	KG	A	A1	A2	A3	B	B1	B2	B3	C	C1	C2	C3	C4	ØD	COMPRESSION	TILT	SIDE LOAD
<b>MK0</b>	75÷250	180	150	15	28,4	100	70	100	70	97,5	100,5	19,5	15,5	15	13	10540 kg	6820 kg	2100 kg
<b>MK1</b>	75÷250	180	150	15	28,4	100	70	100	70	97,5	100,5	19,5	15,5	15	13	10540 kg	6820 kg	2100 kg
<b>MK2</b>	300÷2000	180	150	15	28,4	100	70	100	70	97,5	100,5	19,5	15,5	15	13	10540 kg	6820 kg	2100 kg
<b>MK3</b>	3000÷5000	250	210	20	41,6	150	110	150	110	136,5	140	29,5	24,5	20	18	24440 kg	18810 kg	5750 kg
<b>MK4</b>	3000÷5000	250	210	20	41,6	150	110	150	110	146,5	150	29,5	24,5	20	18	24440 kg	18810 kg	5750 kg
<b>MK6</b>	5÷500	180	150	15	30	100	70	100	70	97,5	100,5	19,5	13,5	15	13	6470 kg	4280 kg	1580 kg
<b>MK7</b>	15÷1500	180	150	15	22,5	100	70	100	70	97,5	100,5	19,5	8,5	15	13	6470 kg	4280 kg	1580 kg
<b>MK10</b>	7500÷10000	300	260	20	28,3	200	160	200	160	184	190	39,5	39,5	24,5	22	38340 kg	27300 kg	11500 kg

All indicated data may be changed without notice.  
 All the measures indicated are expressed in millimeters (mm).


**STAINLESS STEEL (capacity, dimensions and maximum load values by model)**

KIT	KG	A	A1	A2	A3	B	B1	B2	B3	C	C1	C2	C3	C4	ØD	COMPRESSION	TILT	SIDE LOAD
<b>MK0</b>	75÷250	180	150	15	28,4	100	70	100	70	97,5	100,5	19,5	15,5	15	13	9420 kg	5970 kg	1880 kg
<b>MK1</b>	75÷250	180	150	15	28,4	100	70	100	70	97,5	100,5	19,5	15,5	15	13	9420 kg	5970 kg	1880 kg
<b>MK2</b>	300÷2000	180	150	15	28,4	100	70	100	70	97,5	100,5	19,5	15,5	15	13	9420 kg	5970 kg	1880 kg
<b>MK3</b>	3000÷5000	250	210	20	41,6	150	110	150	110	136,5	140	29,5	24,5	20	18	21840 kg	16460 kg	5130 kg
<b>MK4</b>	3000÷5000	250	210	20	41,6	150	110	150	110	146,5	150	29,5	24,5	20	18	21840 kg	16460 kg	5130 kg
<b>MK6</b>	5÷500	180	150	15	30	100	70	100	70	97,5	100,5	19,5	13,5	15	13	5780 kg	3750 kg	1410 kg
<b>MK7</b>	15÷1500	180	150	15	22,5	100	70	100	70	97,5	100,5	19,5	8,5	15	13	5780 kg	3750 kg	1410 kg
<b>MK10</b>	7500÷10000	300	260	20	28,3	200	160	200	160	184	190	39,5	39,5	24,5	22	34200 kg	23900 kg	10200 kg

All indicated data may be changed without notice.  
 All the measures indicated are expressed in millimeters (mm).