

Technical specifications

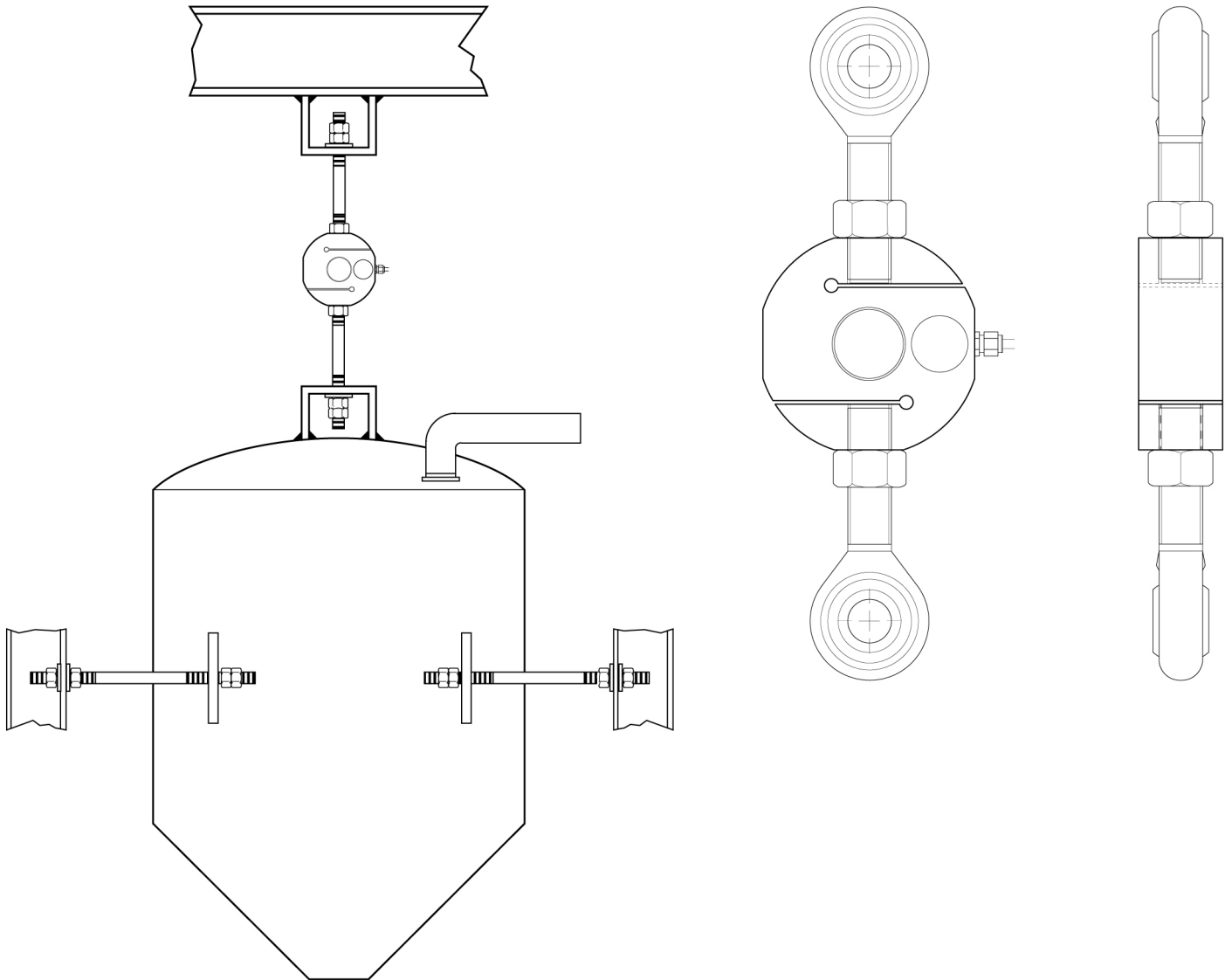
PWS13720241218

The TRZ HT load cell, built in stainless steel, has been designed for the industrial weighing of small tanks and hoppers and it is ideal for working in harsh environments and at high temperatures. It has excellent characteristics of linearity and precision and it owns watertight protection for use in severe environmental conditions and overload resistance over 300%.

Rated load (RL):	100, 250, 500, 750, 1000, 2500, 5000, 7500, 10000 Kg
Combined error:	±0.05 % RO
Repeatability:	±0.02 % RO
Creep (20 minutes):	±0.03 % RO
Safe overload:	150 % RL
Ultimate overload:	> 300 % RL
Material:	Stainless steel AISI 17-4PH
Degree of protection:	IP67
Deflection:	0.3 mm
Compensated Temperature:	-10 ÷ +50°C
Temperature range:	-20 ÷ +150°C
Temperature effect on zero balance:	±0.005 % RO/°C
Temperature effect on output:	±0.005 % on output/°C
Rated output RO:	2.0 mV/V ±0.1 %
Insulation resistance:	> 5000 MOhm
Input resistance:	350 ±20 Ohm
Output resistance:	350 ±5 Ohm
Recommended input:	2 ÷ 15 Vdc/ac

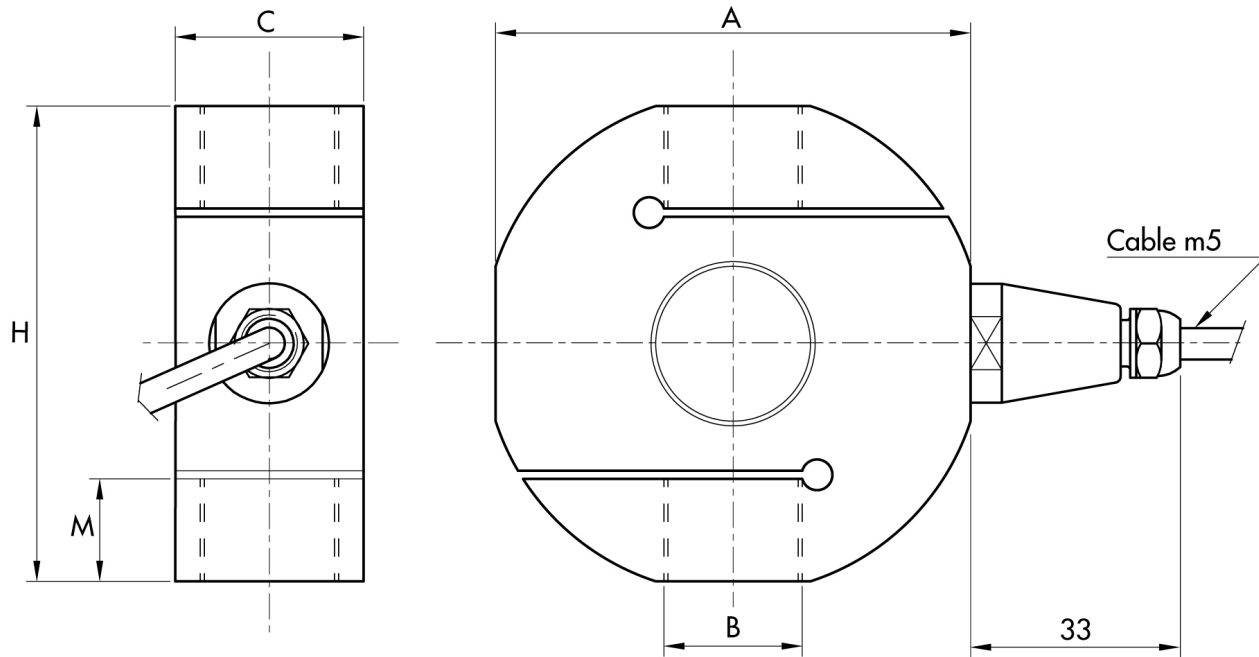


All indicated data may be changed without notice.
All the measures indicated are expressed in millimeters (mm).


Electrical Connections

+Excitation	Red
-Excitation	Black
+Sense	Blue
-Sense	Brown
+Signal	Green
-Signal	White
Shield	Cable shield

All indicated data may be changed without notice.
 All the measures indicated are expressed in millimeters (mm).



Capacity kg	A	B	C	H	M
100-200	61	M12x2	23	60	14
500-1000	78	M16x2	30	75	19
2000-2500	78	M20x1.5	30	75	20
5000	95	M24x2	30	90	23
10000	130	M36x3	45	140	38

All indicated data may be changed without notice.
 All the measures indicated are expressed in millimeters (mm).