

General information

PWS17820240630

The PS47 compression load cell, column model, is made of stainless steel and hermetically welded. The PS47 cell is simple to install and is applied in weighing systems where high capacity is required. The PS45 compression load cell is also available in ATEX version.



Suggested related products

A highly performing weighing system must be accurate, perfectly calibrated and well maintained. In order to improve the load cell performance and to optimize its functioning, you may need the following products:

Weight Transmitter [DAT 1400](#)

Weight Indicator [MCT 1302](#)

Compression load cell [CC3](#)

Compression load cell [CMH](#)

Double Shear Beam Load Cell [DDR](#)

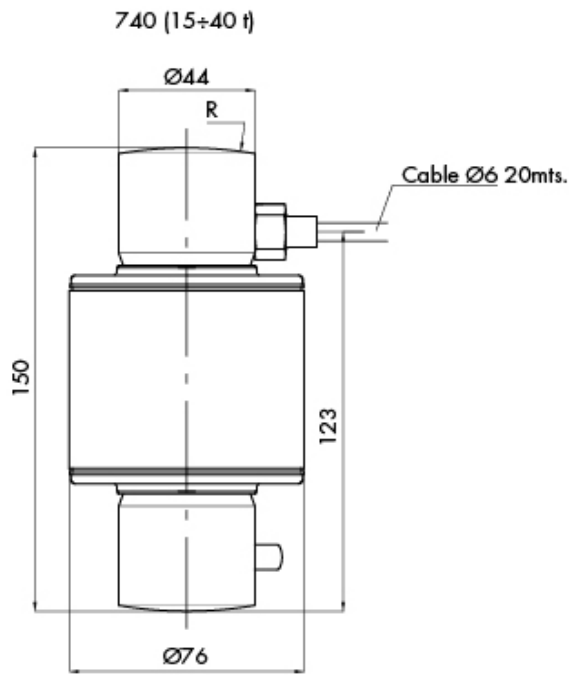
All indicated data may be changed without notice.
All the measures indicated are expressed in millimeters (mm).

Technical specifications

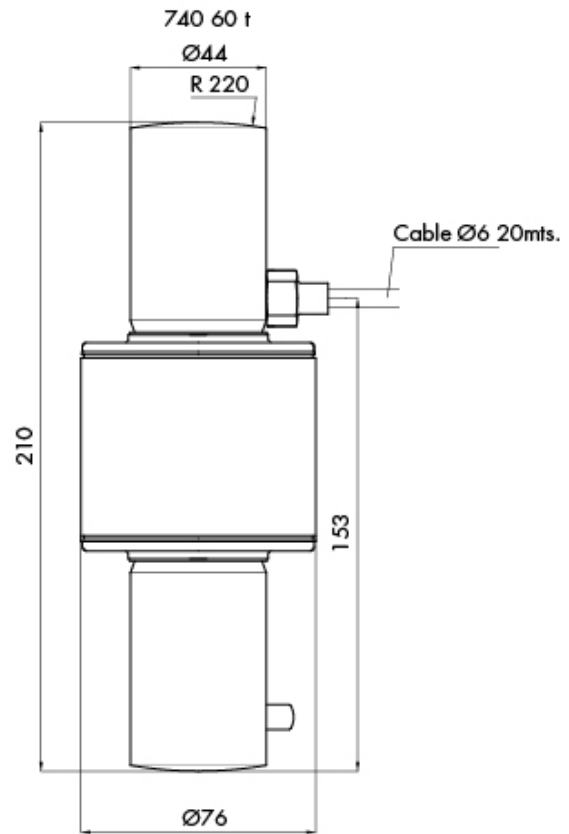
PWS17820240630

Rated Load (RL):	15, 20, 25, 30, 40, 60, 100 t
Combined error:	< ± 0.013 % RO
Repeatability:	< ± 0.015 % RO
Creep (30 minutes):	± 0.012 % RO
Material:	Stainless steel
Accuracy class:	4000 OIML
Deflection:	0.6 ÷ 1 mm
Compensated Temperature:	-10 ÷ + 40 °C
Temperature range:	-50 ÷ +70 °C
Temperature effect on zero balance:	± 0.01 % RO/5°C
Temperature effect on output:	± 0.006 % RO/5°C
Rated output RO:	2 mV/V (1)
Zero balance:	± 2 % RO
Insulation resistance:	> 5000 MOhm
Input resistance:	800 ± 5 Ohm
Output resistance:	705 ± 5 Ohm
Recommended input:	5 ÷ 15 Vdc/ac
Power supply:	10 Vdc o Vac RMS
Maximum excitation:	15 V
Output impedance:	705 ± 5 Ohm

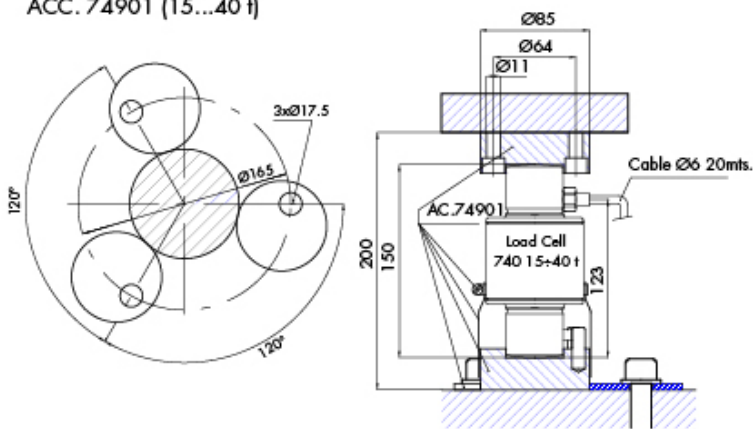
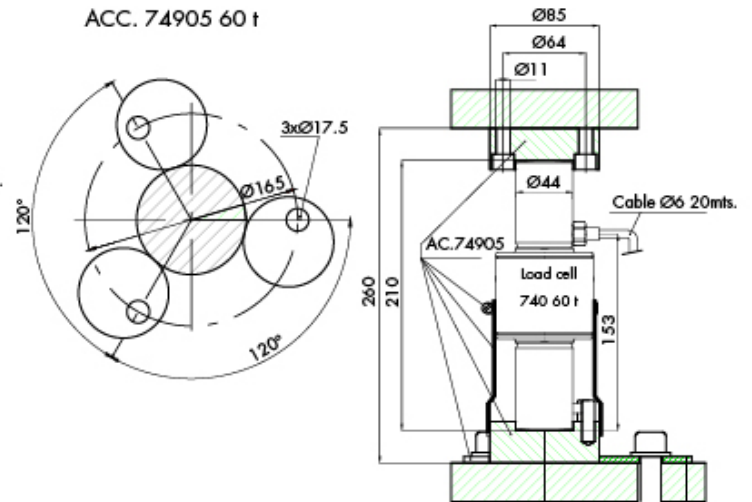
All indicated data may be changed without notice.
 All the measures indicated are expressed in millimeters (mm).



Capacity t	R
15÷20	130
25	150
30	160
40	180



All indicated data may be changed without notice.
 All the measures indicated are expressed in millimeters (mm).

ACC. 74901 (15...40 t)

ACC. 74905 60 t


All indicated data may be changed without notice.
 All the measures indicated are expressed in millimeters (mm).