

General information

PWS3120241015

The BLH NOBEL DSA-R load cell is made of galvanized steel, it has a variable load capacity according to customers' needs and the temperature ranges from -40 ° C to + 150 ° C. It is also supplied with a special 15m cable directly connected to the load cell and an annex indicator which monitors the temperature by changing colour if it reaches extreme levels. The DSA-R load cell is perfectly suitable for weighing silos and hoppers and it is widely used in steelworks and foundries.



Suggested related products

A highly performing weighing system must be accurate, perfectly calibrated and well maintained. In order to improve the load cell performance and to optimize its functioning, you may need the following products:

Weight Transmitter [UWT 6008](#)

Weight Transmitter [DAT 1400](#)

Weight Indicator [MCT 1302](#)

Tester 1008 [TESTER 1008](#)

Junction Box [CGS4-C](#)

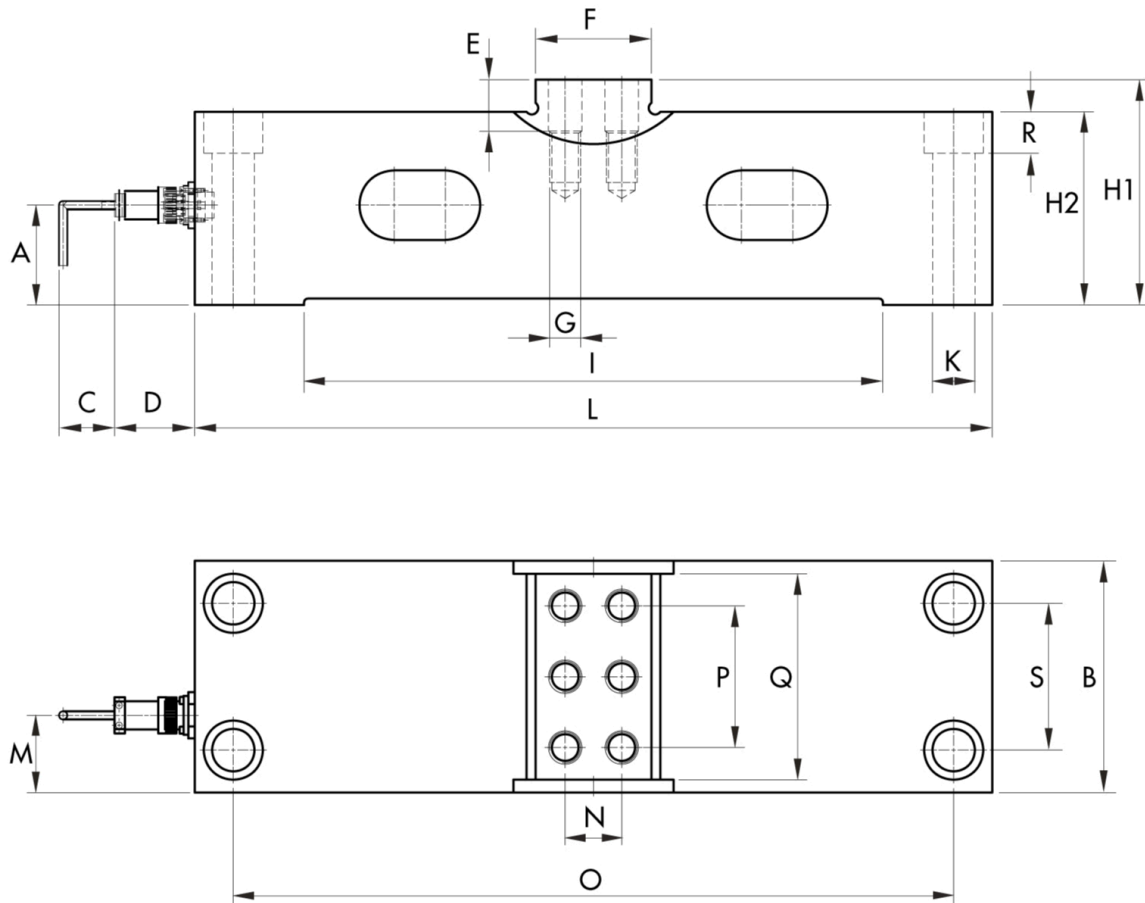
All indicated data may be changed without notice.
All the measures indicated are expressed in millimeters (mm).

Technical specifications

PWS3120241015

Rated Load (RL):	50, 100, 150, 200 t
Combined error:	±0.1 % RO
Creep (30 minutes):	±0.05 % RO
Safe overload:	100 % RL
Ultimate overload:	>350 % RL
Ultimate sideload:	100 % RL
Material:	Steel, zinc-plated
Degree of protection:	IP67
Temperature range:	-40 ÷ +150 °C
Storage temperature:	-50 ÷ +180 °C
Temperature effect on zero balance:	±0.005 % RO/°C
Temperature effect on output:	±0.005 % RO/°C
Rated output RO:	1.0 mV/V
Insulation resistance:	2000 M Ohm
Output resistance:	700 ±10 Ohm
Recommended input:	10 Vdc/ac
Maximum supply voltage:	36 Vdc/ac
Input impedance:	750 ±15 Ohm
Weight:	40, 56, 87, 119 kg

All indicated data may be changed without notice.
 All the measures indicated are expressed in millimeters (mm).



MODEL	A	B	C	D	E	F	G	H1	H2	I	K	L	M	N	O	P	Q	R	S
50 t	45	120	240	120	32	80	M 20 x 30	130	105	340	26	450	57	40	398	75	110	26	68
100 t	54	140	240	120	38	90	M 24 x 36	143	118	370	30	500	62	44	444	90	130	29	80
150 t	66	160	240	120	38	90	M 24 x 36	158	133	410	33	560	69	44	500	102	150	32	94
200 t	75	180	240	120	40	90	M 24 x 40	175	150	450	33	620	76	44	560	110	160	32	114

All indicated data may be changed without notice.
 All the measures indicated are expressed in millimeters (mm).