

General information

PWS4720250222

The bending beam load cell ALPHA has excellent precision in small dimensions, is easy to install, has a high temperature range of use and is equipped with a shielded 4-conductor cable 1.5 meters long for electrical connection. The ALPHA cell is used in a vast field of medical and industrial applications.



Suggested related products

A highly performing weighing system must be accurate, perfectly calibrated and well maintained. In order to improve the load cell performance and to optimize its functioning, you may need the following products:

Weight Transmitter [UWT 6008](#)

Weight Transmitter [DAT 1400](#)

Weight Indicator [MCT 1302](#)

Tester 1008 [TESTER 1008](#)

Bending beam load cell [BBR](#)

Junction Box [CGS4-C](#)

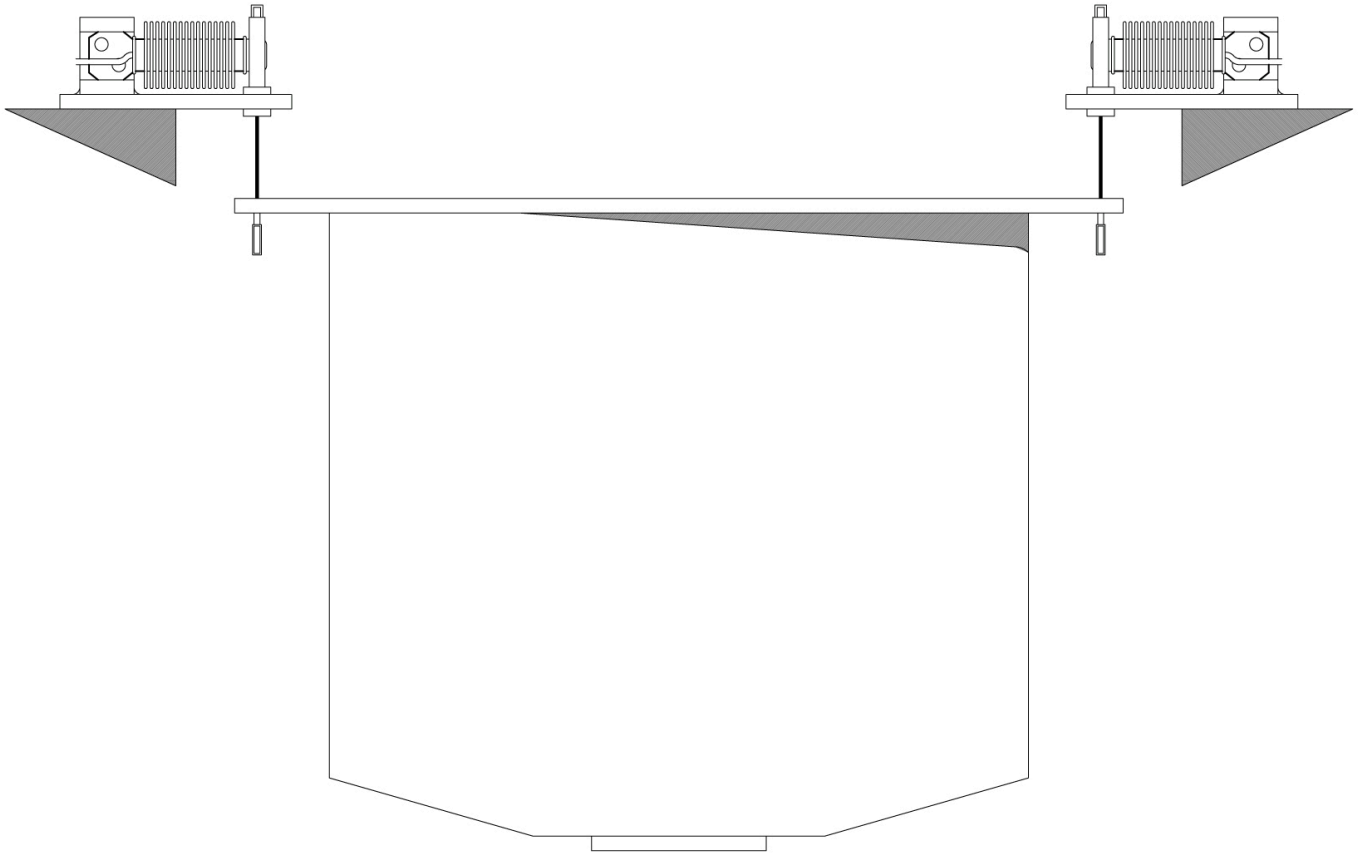
All indicated data may be changed without notice.
All the measures indicated are expressed in millimeters (mm).

Technical specifications

PWS4720250222

Rated load RL:	25, 50, 100, 150, 250, 500 N
Combined error:	< ±0.02 % RO
Repeatability:	< ±0.01 % RO
Creep (20 minutes):	±0.05 % RO
Safe overload:	175 % RL
Ultimate overload:	300 % RL
Material:	Copper and tin - plated brass
Degree of protection:	IP67
Deflection:	0.254 mm (25 ÷ 250 N); 0.432 mm (500 N)
Compensated Temperature:	-15 ÷ +65 °C
Temperature range:	-25 ÷ +80 °C
Temperature effect on zero balance:	< ±0.0014 % RO/°C
Temperature effect on output:	< ±0.0014 % load/°C
Rated output RO:	3.0 mV/V
Zero balance:	< ±2 % RO
Insulation resistance:	2000 MOhm
Input resistance:	350 ± 3.5 Ohm
Output resistance:	350 ± 3.5 Ohm
Recommended input:	5 ÷ 12 Vdc/ac
Maximum supply voltage:	20 Vdc/ac

All indicated data may be changed without notice.
 All the measures indicated are expressed in millimeters (mm).

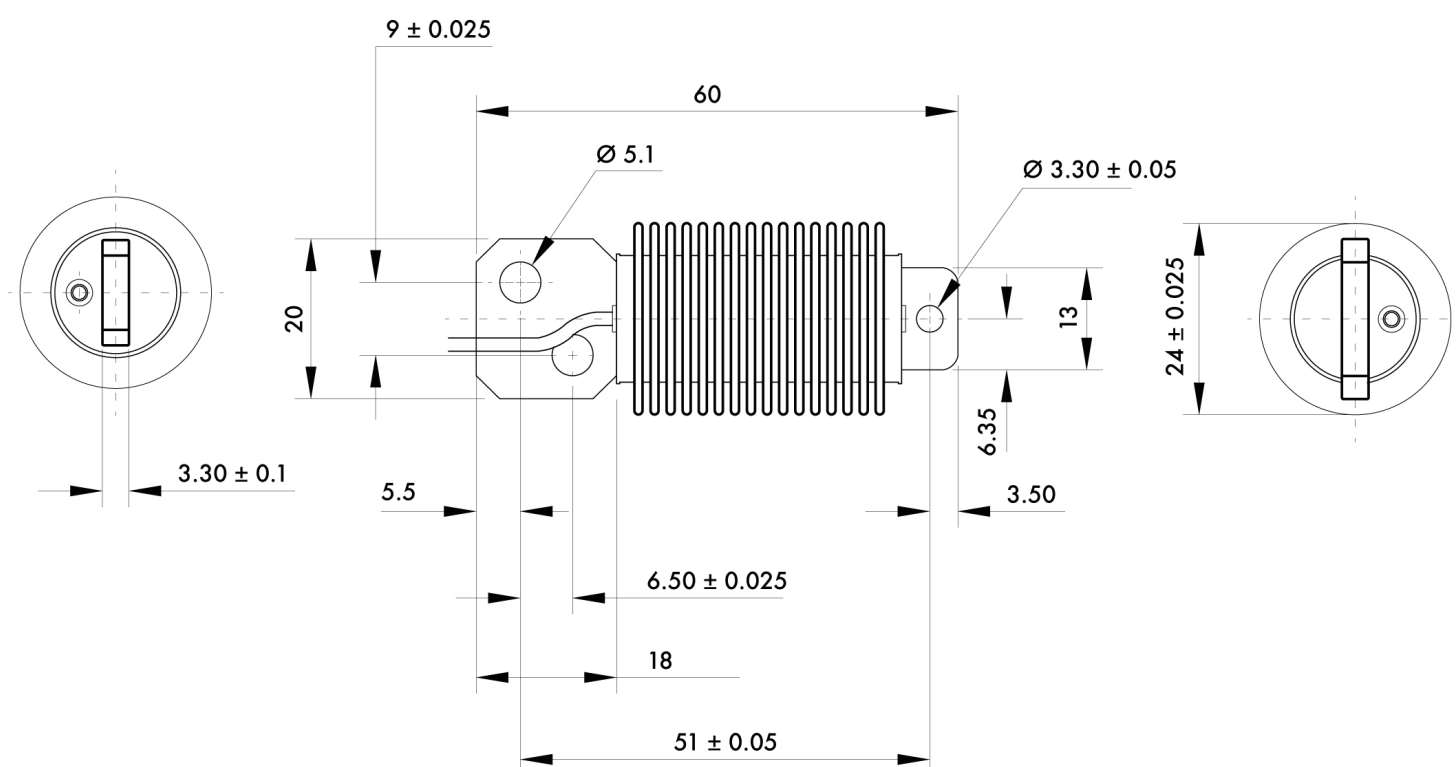
**Electrical Connection**

+Excitation	Green
-Excitation	Black
+Signal	White
-Signal	Red
Shield	Cable shield

All indicated data may be changed without notice.
All the measures indicated are expressed in millimeters (mm).

Bending beam load cell ALPHA

available with certification • EAC • OIML • FM



All indicated data may be changed without notice.
All the measures indicated are expressed in millimeters (mm).