

General information

PWS37620250304

The encoder EE-1000PR is a solid shaft rotary incremental encoder. Designed for industrial applications with high mechanical resistance requirements, it supports high radial and axial shaft load. This encoder can be linked to the customer fixing flange with three M4 screws or with three fixing clamps.



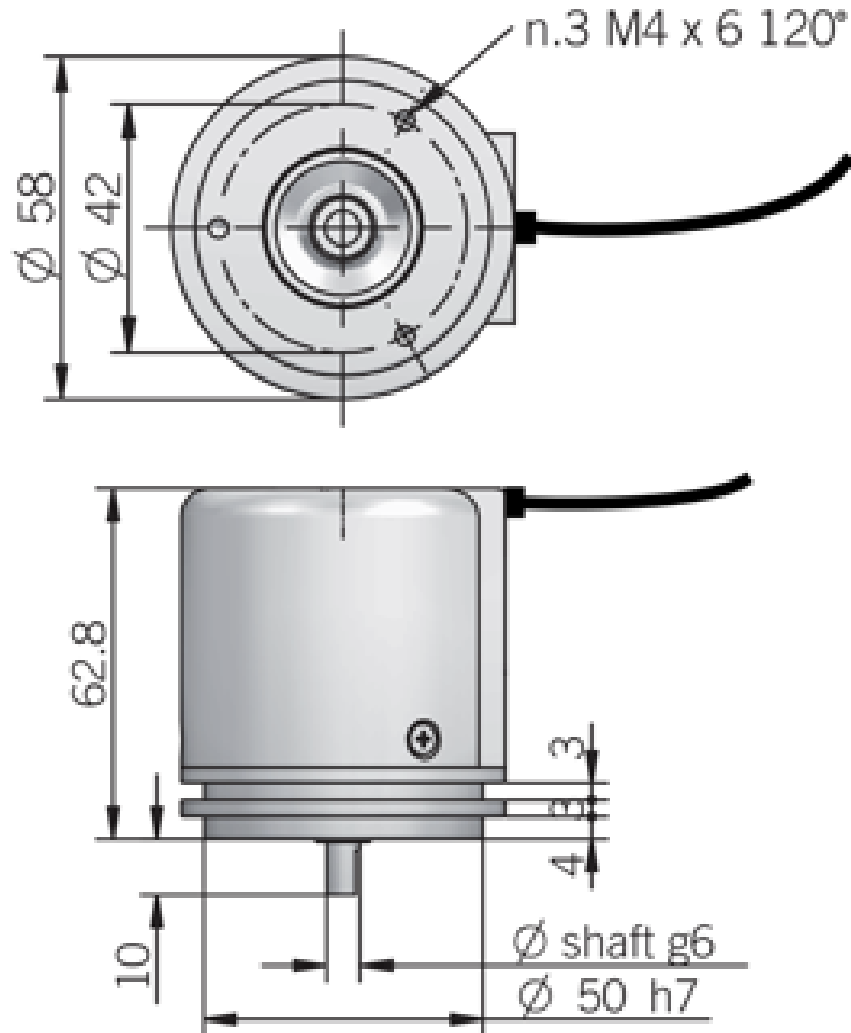
All indicated data may be changed without notice.
All the measures indicated are expressed in millimeters (mm).

Technical specifications

PWS37620250304

Operating temperature:	-25° ... +85°C (measured on the transducer flange, condensation not allowed)
Weight:	350 g (12,35 oz)
RoHS:	according to 2014/30/EU directive
Electromagnetic Compatibility:	according to 2014/30/EU directive
Counting Direction:	A leads B clockwise (shaft view)
Power Draw Without Load:	800 mW max
Electrical Interface:	push-pull
Bearings Life:	10 ⁹ revolutions
Bearings:	n.2 ball bearings
Housing Material:	PA66 glass fiber reinforced
Shaft Material:	AISI 303 stainless steel
Bearing Stage Material:	EN-AW 2011 aluminum
Starting Torque (at +20°C / +68°F):	< 0,06 Nm (8,50 Ozin)
Moment of Inertia:	1,5 x 10 ⁻⁶ kgm ² (36 x 10 ⁻⁶ lbf ²)
Vibration:	10 G, 10 ... 2000 Hz (IEC 60068-2-6)
Shock:	50 G, 11 ms (IEC 60068-2-27)
Max Shaft Load:	10 N axial / 20 N radial (maximum load for static usage)
Max Rotation Speed:	3000 rpm / 70° C - 2000 rpm / 85° C
Enclosure Rating:	IP 66 (IEC 60529)
Shaft Diameter:	ø 6
Storage temperature:	-25° ... +70°C (condensation not allowed)
Power supply:	5/28 = 4,5 ... 30 V DC (reverse polarity protection)
Resolution:	1000 ppr

All indicated data may be changed without notice.
All the measures indicated are expressed in millimeters (mm).


Cable Measures

LENGHT	5 m
DIAMETER	5,3 mm
CORES	4 x 0,20 mm ²

Electrical Connection

BLACK (BIG)	Shield
GREEN	Channel A
RED	+ Excitation
YELLOW	Channel B
BLACK	- Excitation

All indicated data may be changed without notice.
 All the measures indicated are expressed in millimeters (mm).