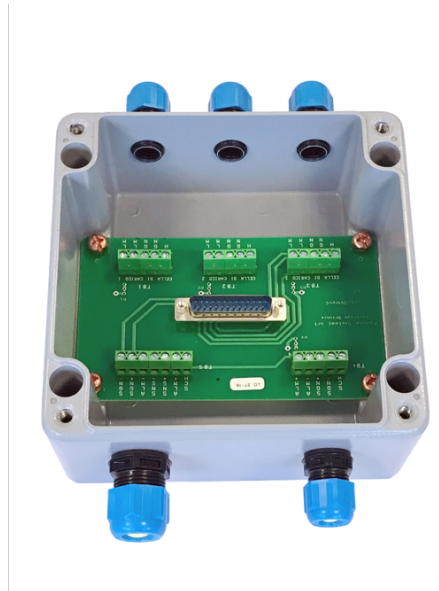


## Technical specifications

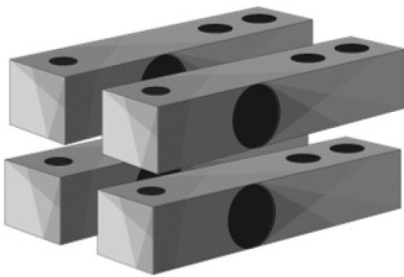
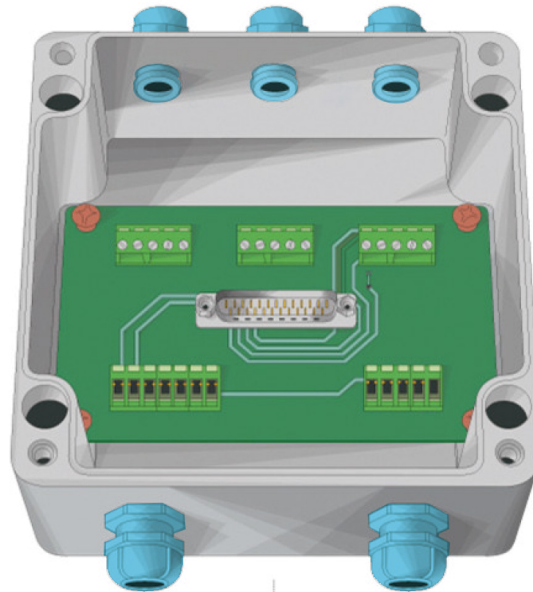
PWS10620241016

The CGS4-C ATEX junction box is able to connect several load cells: it synchronizes measurements and it ensures correct and accurate weight values. The CGS4-C ATEX junction box collects the signals of the individual cells and translates them into a single signal. Our junction boxes are equipped with a quick connector for the connection to our Tester 1008, which allows the immediate control of the signals of the single cells and the system diagnostics. **The CGS4-C ATEX junction box is available with a die-cast aluminum or stainless steel housing.**

<b>Temperature range:</b>	-30 ÷ +40 °C (max 85% humidity without condensation)
<b>Storage temperature:</b>	-30 ÷ +70 °C
<b>Dimensions (aluminum):</b>	160 x 160 x 90 mm (L x H x D)
<b>Drilling template (aluminum):</b>	140 x 110 mm (L x H)
<b>Dimensions (stainless steel):</b>	200 x 200 x 100 mm (L x H x D)
<b>Drilling template (stainless steel):</b>	151 x 150 mm (L x H)
<b>ATEX certified version:</b>	Ex ia IIC T4 Ga; Ex ia IIIC T 135°C Da; -30°C ≤ Tamb ≤ +40°C



All indicated data may be changed without notice.  
 All the measures indicated are expressed in millimeters (mm).

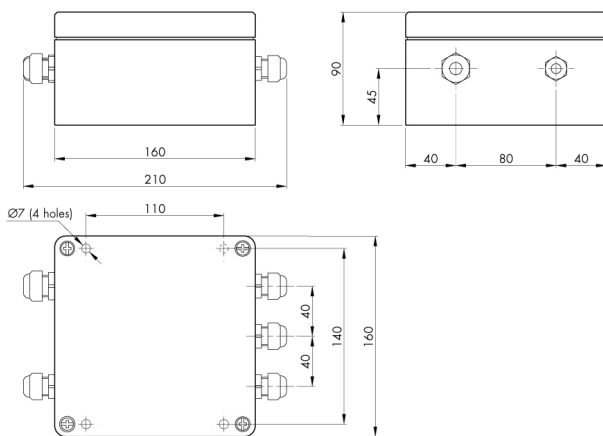


Load Cells N° 1-2-3-4

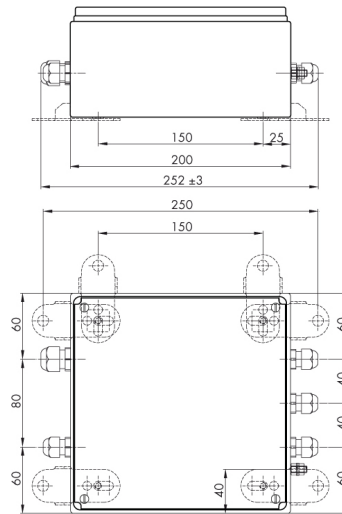


Tester 1008

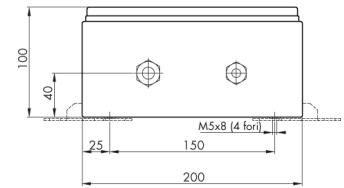
All indicated data may be changed without notice.  
All the measures indicated are expressed in millimeters (mm).



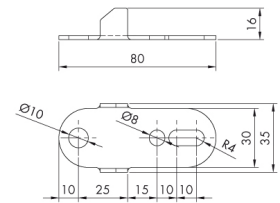
Aluminium housing



Stainless Steel housing



OPTIONAL BRACKET (2:1)


**LOAD CELLS COLOUR CODE**

+Exc	Red	Red/Green	Red	Red/Blue
-Exc	Black	Black	White	Black/Brown
+Sgn	Green	Green/White	Green	Green
-Sgn	White	Red/White	Blue	White
Shd	Shield	Shield	Shield	Shield
	SENSORTRONICS	NOBEL	MINEBEA	PAVONE

All indicated data may be changed without notice.  
 All the measures indicated are expressed in millimeters (mm).