

Technical specifications

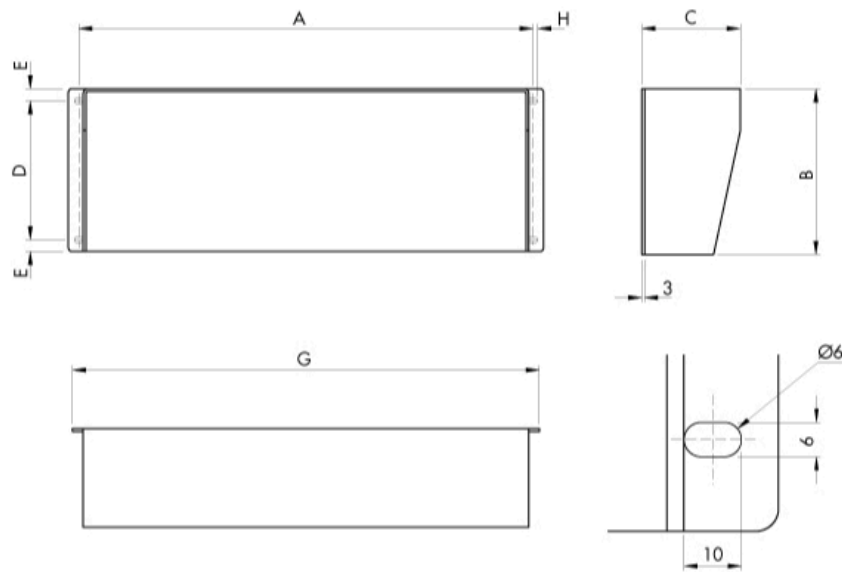
PWS14920250222

The RIP display is useful and convenient for reading the weight value at distance, this allows you to know data directly from your workstation without interrupting your activities. The RIP display launches the weight signal to other acquisition and control devices. Our RIP display is available in ABS case and disposes of automatic brightness control. Moreover, our RIP display also has a circular connector with circular clamp.

Display:	5 digit red LED matrix 5x7 high efficiency, 5 digit red LED 7 segment (RIP H20)
Material:	stainless steel, self-extinguishing Noryl RIP H20
Degree of protection:	IP65, IP54 front RIP H20
Temperature range:	-10 ÷ +40 °C (max 85 % humidity without condensation)
Storage temperature:	-20 ÷ +50 °C
Serial port:	RS232C or RS422/RS485 with ASCII
Power supply:	100 ÷ 240 Vac 50/60 Hz - 25 VA, 230 Vac 50/60 Hz - 7 VA (RIP H20)
Regulatory compliance:	EN 61000-6-2, EN 61000-6-3, EN61010-1
Transmission distance:	15m (RS232C), 1000m (RS422; RS485)
Reading distance:	up to 8 m (RIP H20); up to 45 m (RIP HE160)
Digits height:	20 mm, 60 mm, 100 mm, 160 mm



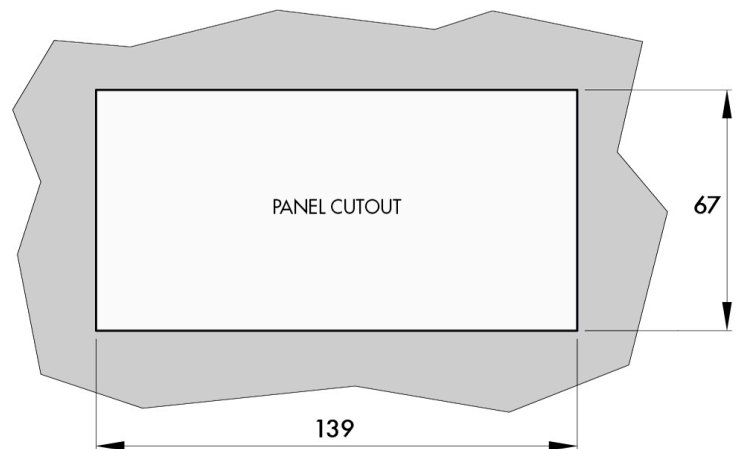
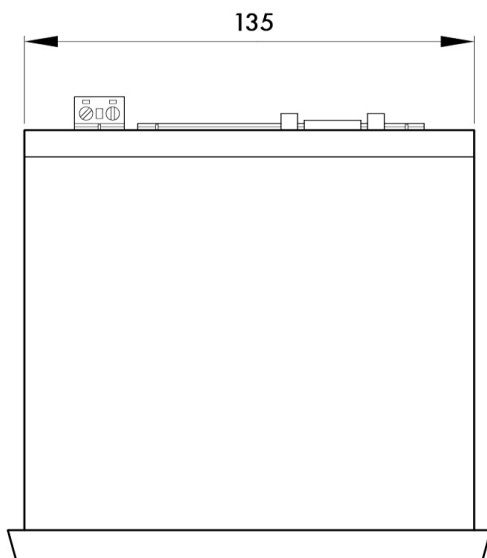
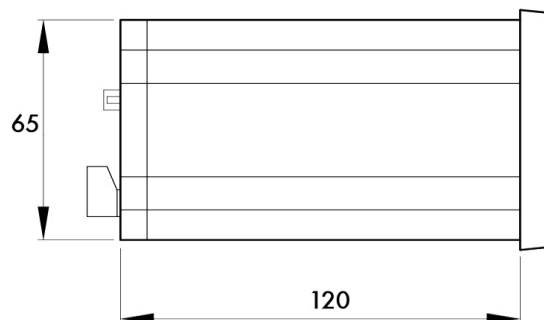
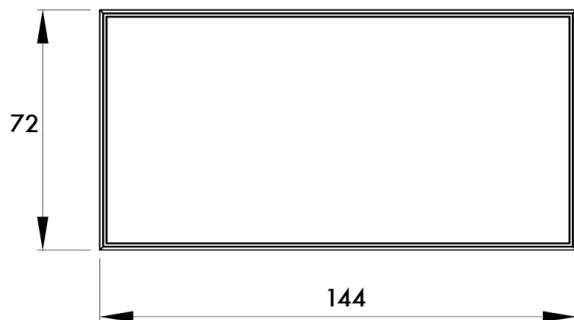
All indicated data may be changed without notice.
All the measures indicated are expressed in millimeters (mm).



RIP	HA60	HE100	HE160
A	320	500	635
B	110	185	230
C	90	115	110
D	80	155	195
E	16	13	18
G	340	510	656
H	11	5	10

All indicated data may be changed without notice.
 All the measures indicated are expressed in millimeters (mm).

RIP H20 DIMENSIONS



All indicated data may be changed without notice.
 All the measures indicated are expressed in millimeters (mm).